

1 GROUND FLOOR PLAN
 A01 SCALE 3/8" = 1/0"

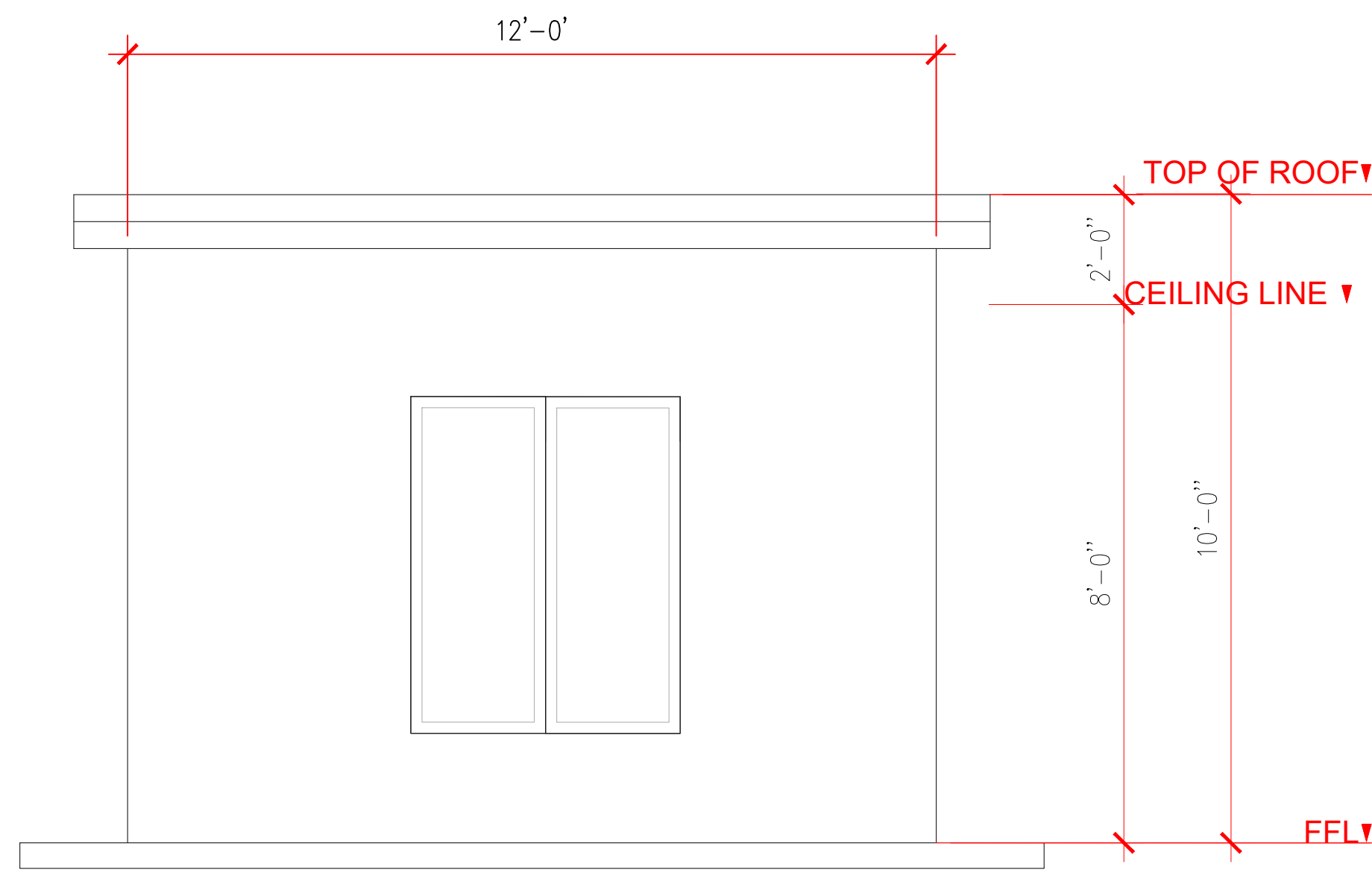
CALIFORNIA MODULARS
 196 N 3rd St, San Jose California, 95112
 info@californiamodulars.com
 Mon - Fri / 9AM-5PM
 +408-396-1220



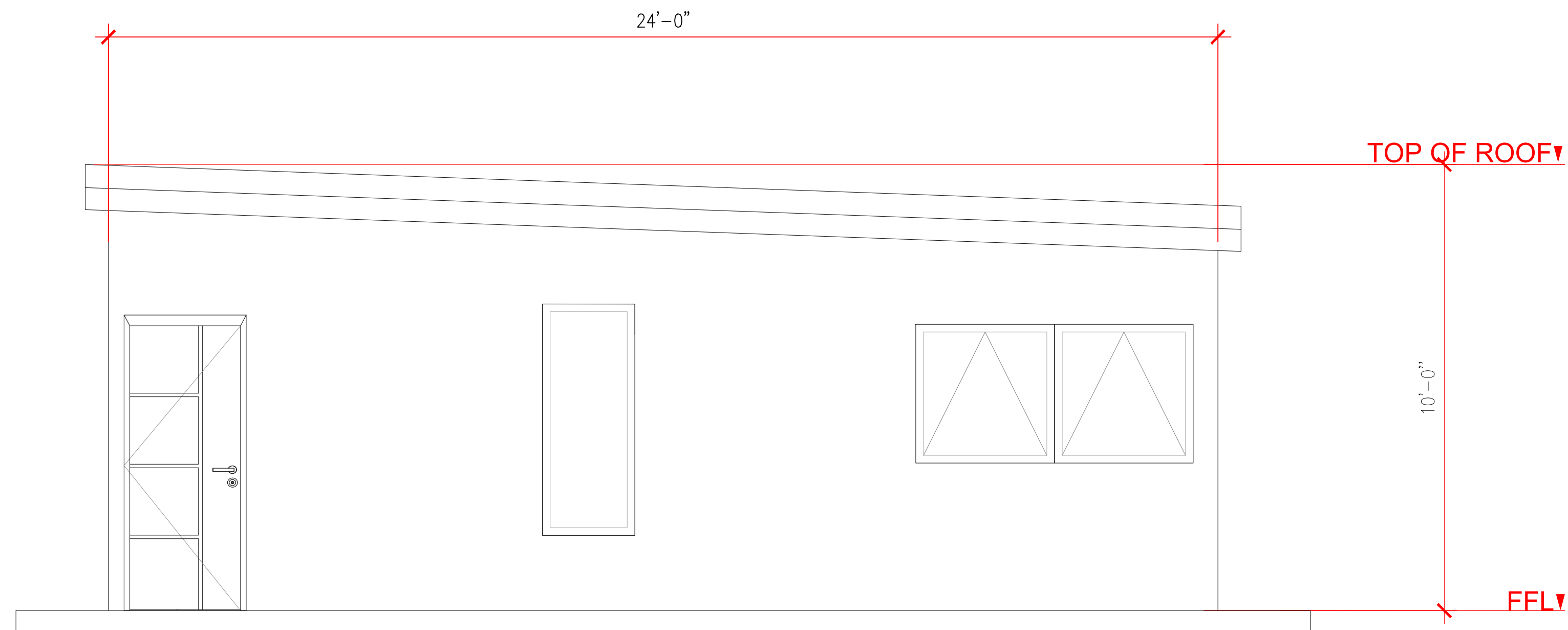
CAL 2

DRAWN BY: CF
 CHECKED BY:
 DATE:
 JOB NO:

A01
 1 of 2



1 FRONT ELEVATION
 A02 SCALE 3/8" = 1/0"



2 RIGHT SIDE ELEVATION
 A02 SCALE 3/8" = 1/0"



CAL 2

DRAWN BY: CF
 CHECKED BY:
 DATE:
 JOB NO:

A02