

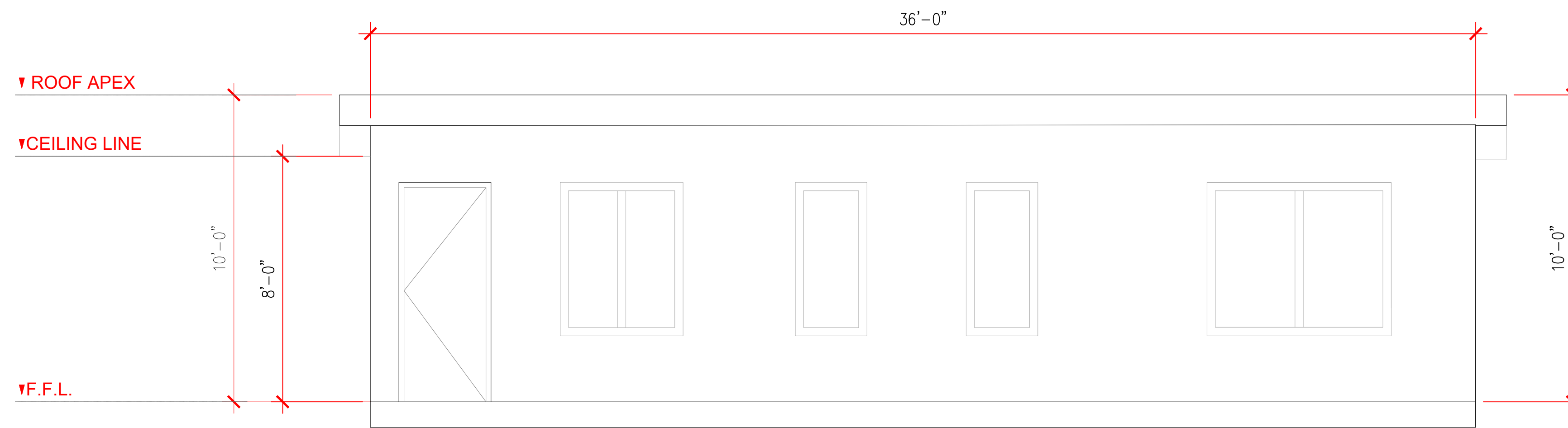
1  
A01

**GROUND FLOOR PLAN**

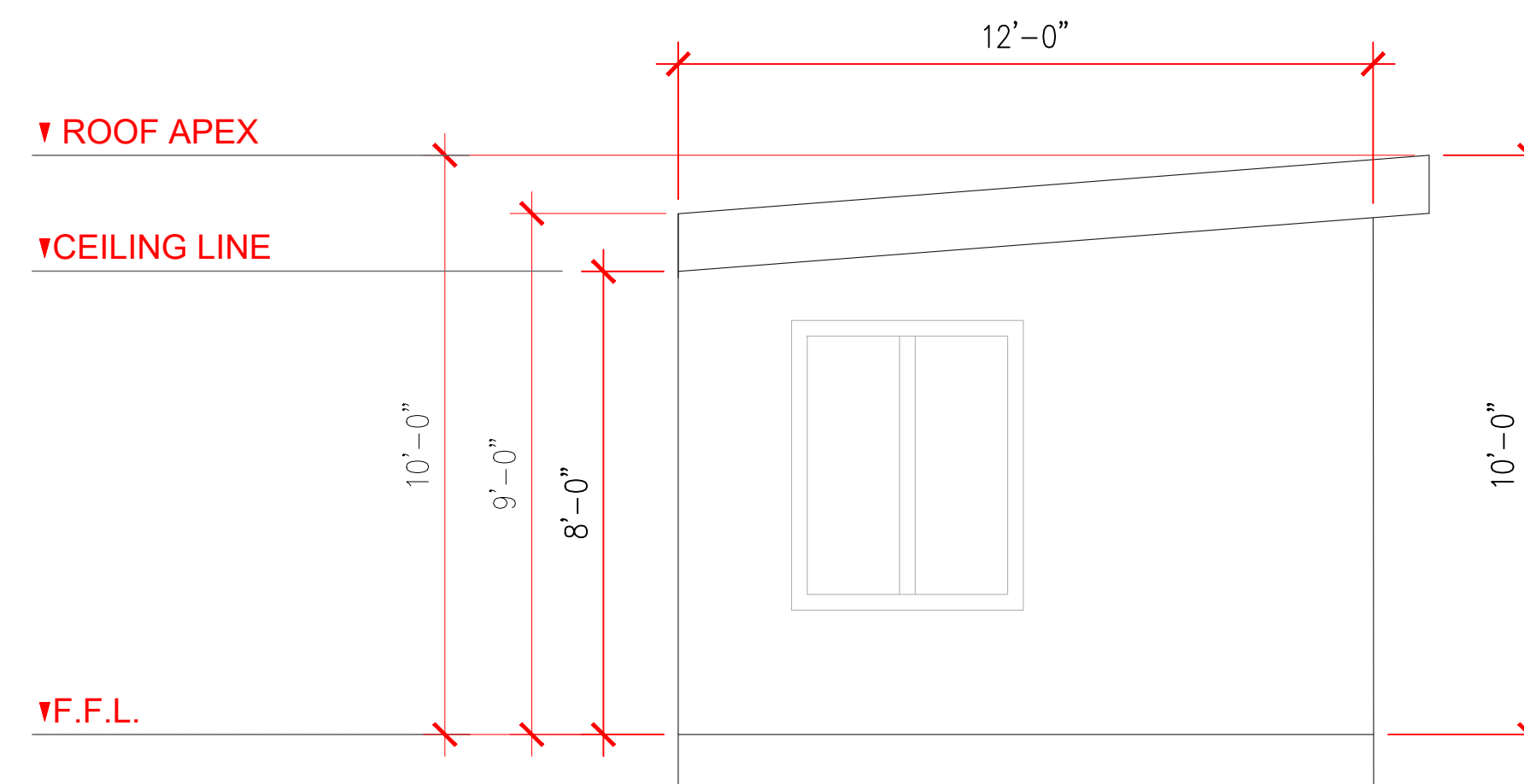
SCALE 3/8" = 1/0"



DRAWN BY: CF  
 CHECKED BY:  
 DATE:  
 JOB NO:



1  
A01 FRONT ELEVATION  
SCALE 3/8" = 1/10"



1  
A01 LEFT SIDE ELEVATION  
SCALE 3/8" = 1/10"

