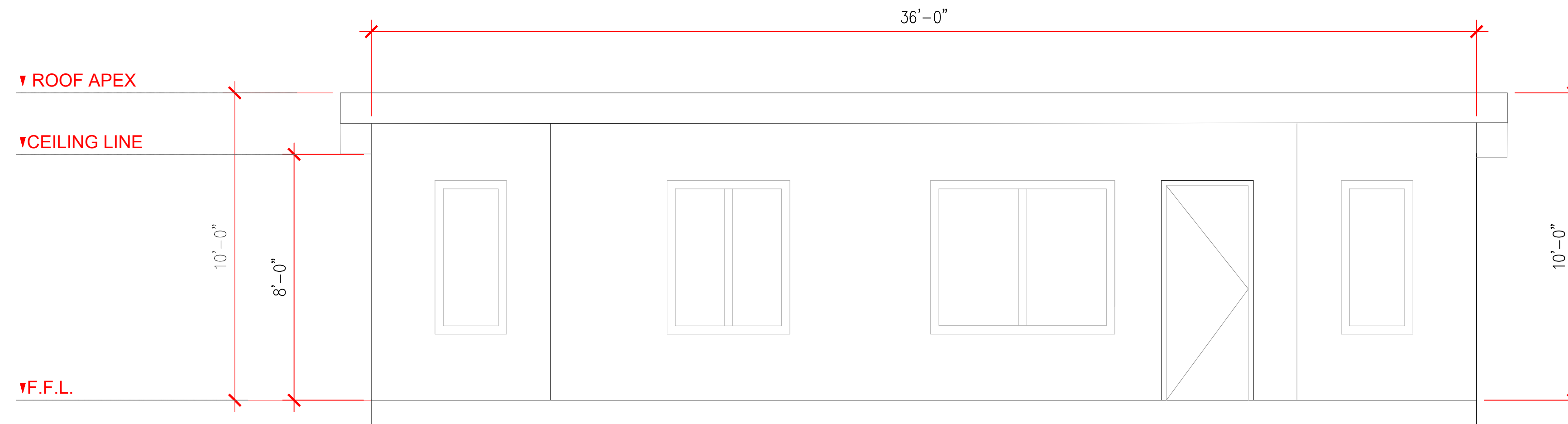


1  
A01

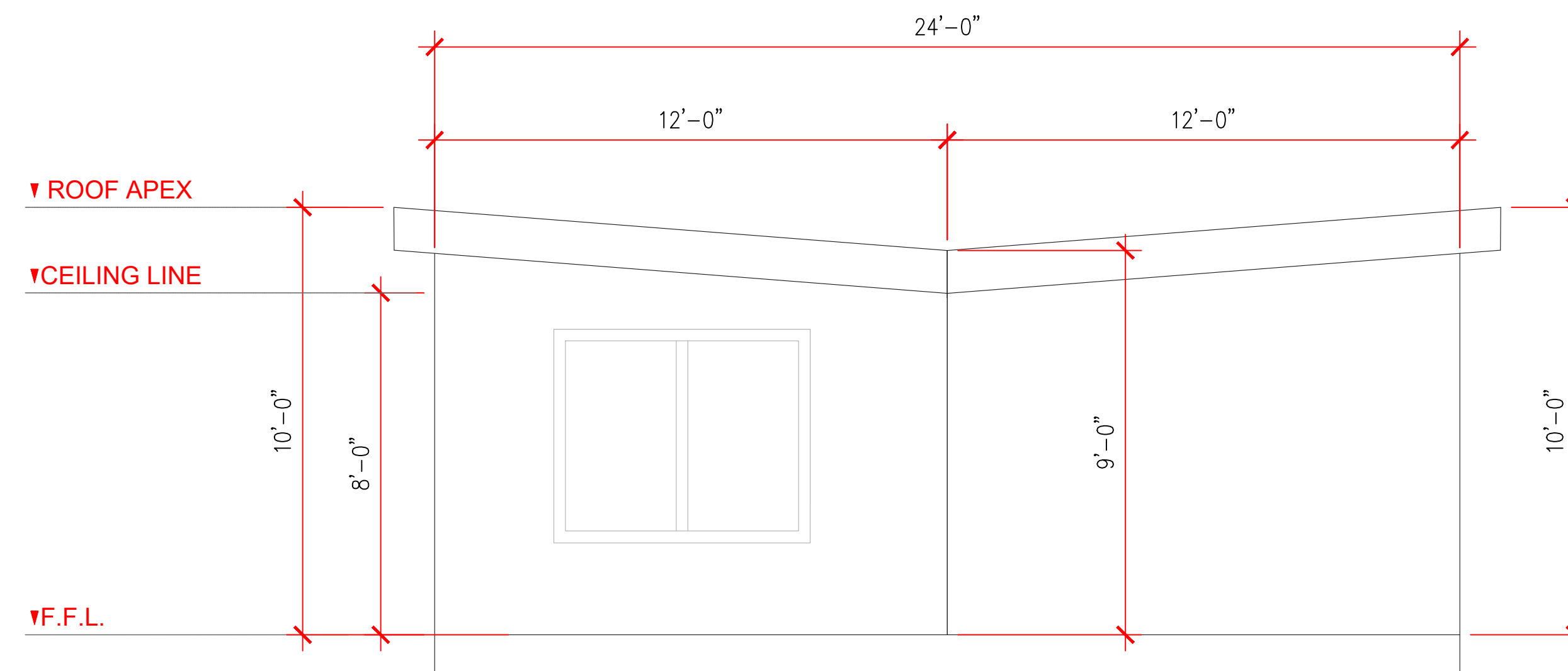
**GROUND FLOOR PLAN**

SCALE 3/8" = 1/0"





1  
A01 FRONT ELEVATION  
SCALE 3/8" = 1/0"



1  
A01 LEFT SIDE ELEVATION  
SCALE 3/8" = 1/0"

